

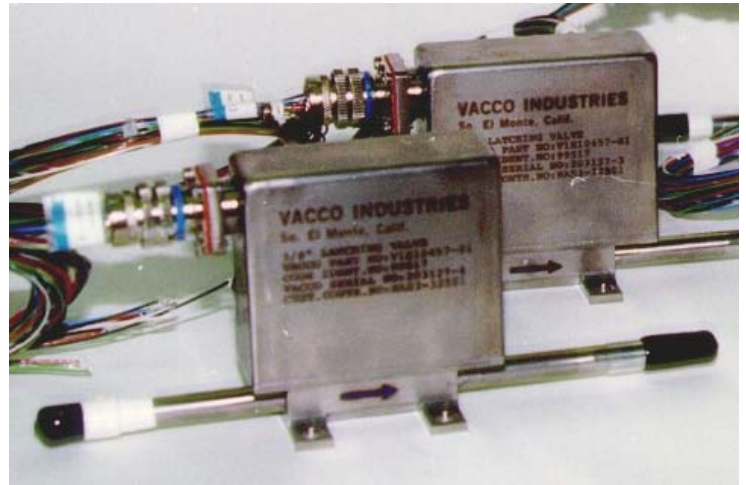


LOW PRESSURE DUAL COIL 3/8" LATCH VALVE V1E10362-04

DESCRIPTION

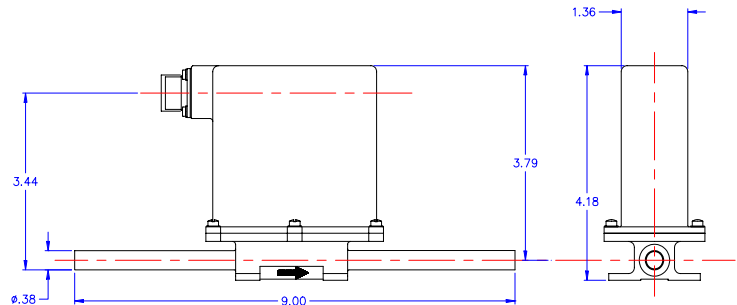
VACCO Industries maintains a product line of titanium latching valves designed to meet industry's demand for high reliability, tight leakage, and quick response capabilities.

The 3/8" low-pressure latch valve utilizes VACCO's proven torque tube technology. The all titanium construction helps maintain its light weight while the dual coils are provided for redundancy. The valve is fully flight-qualified and holds extensive heritage.



FEATURES

- ⊕ 260 psi Operating Pressure
- ⊕ Flight Qualified
- ⊕ All Titanium Construction
- ⊕ Low Weight – 750g/1.65 lbm
- ⊕ Integral Microswitch
- ⊕ 150,000 Cycle Life
- ⊕ 40μ Absolute Inlet Filter



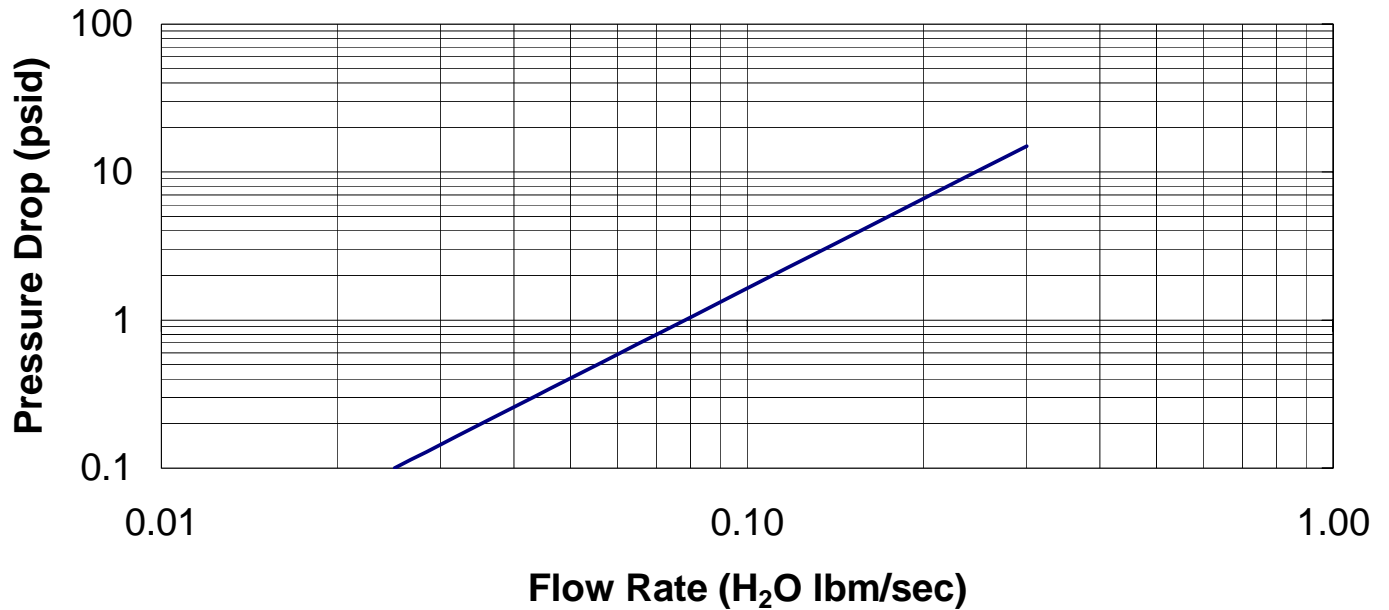
OPERATING PARAMETERS

Operating Pressure Range	260 psig	Operating Temperature	14° to 150° F
Proof Pressure	600 psig	Response Time	
Burst Pressure.....	1600 psig	Opening.....	50 msec @ 43 VDC
Flow	0.175 lbm/sec H ₂ O	Closing	50 msec @ 21.5 VDC
Pressure Drop	4 psid	Back Pressure Relief	50 to 160 psid
Internal Leakage.....	<5.0 scch GHe	Inlet Filter Rating.....	40 microns absolute
External Leakage	<1 X 10 ⁻⁶ sccs GHe	Operating Voltage.....	21.5 – 54 VDC
Weight	1.60 lbm (725 grams)	Dielectric Strength	500 VAC RMS @ 60 Hz – 1 min

Performance characteristics are based upon customer requirements, as such, are not representative of component capabilities or limitations

PERFORMANCE CHARACTERISTICS

Pressure Drop



ELECTRIC SCHEMATIC

